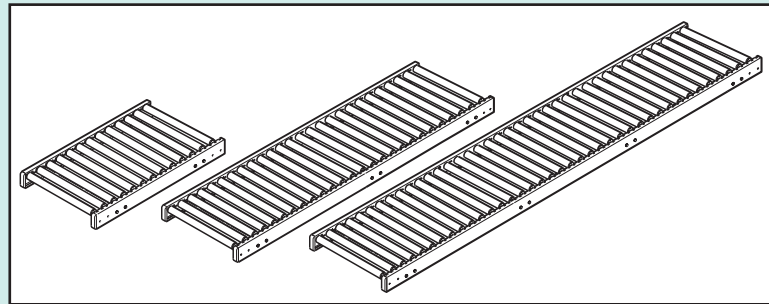


## RN/RG Ø 32 - 75

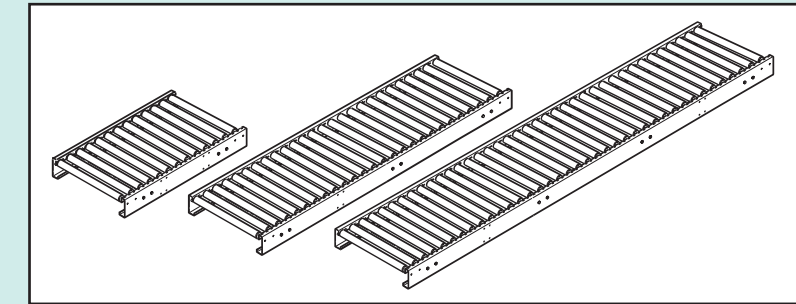
PIANO A RULLI Ø 32 A PROFILO BASSO  
 CONVEYOR WITH LOW PROFILE FRAME Ø 32  
 PLAN A ROULEAUX A PROFIL BAS Ø 32  
 ROLLENBAHNEN MIT NIEDRIGEM PROFIL Ø 32  
 PLANO DE RODILLOS DE PERFIL BAJO Ø 32



RN	Con cuscinetto in nylon With nylon bearing Avec coussinet en nylon Mit Kugellager aus Nylon Con rodamiento de nylon			RG	Con cuscinetto in metallo With stainless steel bearings Avec coussinets en acier Mit Kugellager aus Rostfreim Stahl Con rodamiento de bolas		
	w	l			w	l	
RN	500	375	7.8.04048	RG	500	375	7.8.04053
RN	500	970	7.8.04054	RG	500	970	7.8.04055
RN	500	1950	7.8.04056	RG	500	1950	7.8.04057
RN	650	375	7.8.04058	RG	650	375	7.8.04059
RN	650	970	7.8.04060	RG	650	970	7.8.04061
RN	650	1950	7.8.04062	RG	650	1950	7.8.04063
RN	800	970	7.8.04064	RG	800	970	7.8.04065
RN	800	1950	7.8.04068	RG	800	1950	7.8.04069

## HRG Ø 48

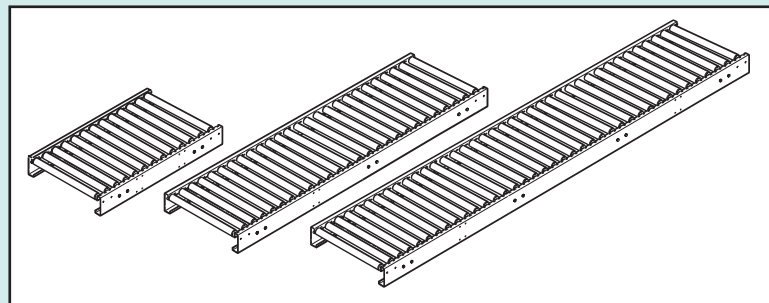
PIANO A RULLI Ø 48 A PROFILO ALTO  
 CONVEYOR WITH HIGH PROFILE FRAME Ø 48  
 PLAN A ROULEAUX A PROFIL HAUT Ø 48  
 ROLLENBAHNEN MIT HÖHEM PROFIL Ø 48  
 PLANO DE RODILLOS DE PERFIL ALTO Ø 48



HRG Ø 48 -75				HRG Ø 48 -112.5			
	w	l			w	l	
HRG Ø48	500	970	7.8.05353.00A	HRG Ø48	500	970	7.8.05354.00A
HRG Ø48	500	1950	7.8.05355.00A	HRG Ø48	500	1950	7.8.05356.00A
HRG Ø48	500	2925	7.8.05357.00A	HRG Ø48	500	2925	7.8.05358.00A
HRG Ø48	650	970	7.8.05359.00A	HRG Ø48	650	970	7.8.05360.00A
HRG Ø48	650	1950	7.8.05361.00A	HRG Ø48	650	1950	7.8.05362.00A
HRG Ø48	650	2925	7.8.05363.00A	HRG Ø48	650	2925	7.8.05364.00A
HRG Ø48	800	970	7.8.05365.00A	HRG Ø48	800	970	7.8.05366.00A
HRG Ø48	800	1950	7.8.05367.00A	HRG Ø48	800	1950	7.8.05368.00A
HRG Ø48	800	2925	7.8.05369.00A	HRG Ø48	800	2925	7.8.05370.00A

## HRG Ø 32

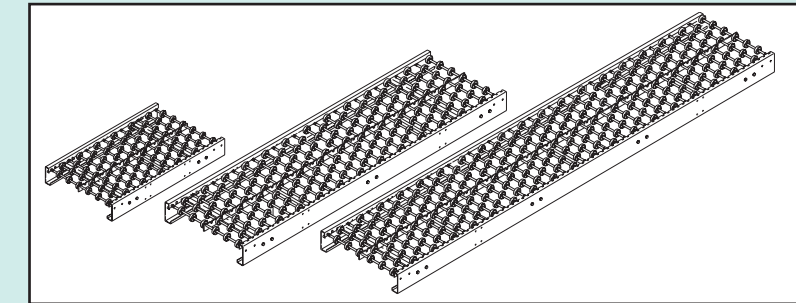
PIANO A RULLI Ø 32 A PROFILO ALTO  
 CONVEYOR WITH HIGH PROFILE FRAME Ø 32  
 PLAN A ROULEAUX A PROFIL HAUT Ø 32  
 ROLLENBAHNEN MIT HÖHEM PROFIL Ø 32  
 PLANO DE RODILLOS DE PERFIL ALTO Ø 32



HRG Ø 32 - 37.5				HRG Ø 32 - 75			
	w	l			w	l	
HRG Ø32	500	970	7.8.05335.00A	HRG Ø32	500	970	7.8.05336.00A
HRG Ø32	500	1950	7.8.05337.00A	HRG Ø32	500	1950	7.8.05338.00A
HRG Ø32	500	2925	7.8.05339.00A	HRG Ø32	500	2925	7.8.05340.00A
HRG Ø32	650	970	7.8.05341.00A	HRG Ø32	650	970	7.8.05342.00A
HRG Ø32	650	1950	7.8.05343.00A	HRG Ø32	650	1950	7.8.05344.00A
HRG Ø32	650	2925	7.8.05345.00A	HRG Ø32	650	2925	7.8.05346.00A
HRG Ø32	800	970	7.8.05347.00A	HRG Ø32	800	970	7.8.05348.00A
HRG Ø32	800	1950	7.8.05349.00A	HRG Ø32	800	1950	7.8.05350.00A
HRG Ø32	800	2925	7.8.05351.00A	HRG Ø32	800	2925	7.8.05352.00A

## HRTP Ø 48

PIANO A ROTELLE Ø48 IN PLASTICA  
 PLASTIC WHEEL Ø48 CONVEYORS  
 CONVOYEURS A ROULETTES Ø48 EN PLASTIQUE  
 BAHNEN MIT KUNSTSTOFFRÄDCHEN Ø 48  
 PLANO CON RUEDECILLAS Ø 48 PLASTICOS



HRTP Ø 48-37.5				HRTP Ø 48-75			
	w	l			w	l	
HRTP Ø48	500	970	7.8.05371.00A	HRTP Ø48	500	970	7.8.05372.00A
HRTP Ø48	500	1950	7.8.05373.00A	HRTP Ø48	500	1950	7.8.05374.00A
HRTP Ø48	500	2925	7.8.05375.00A	HRTP Ø48	500	2925	7.8.05376.00A
HRTP Ø48	650	970	7.8.05377.00A	HRTP Ø48	650	970	7.8.05378.00A
HRTP Ø48	650	1950	7.8.05379.00A	HRTP Ø48	650	1950	7.8.05380.00A
HRTP Ø48	650	2925	7.8.05381.00A	HRTP Ø48	650	2925	7.8.05382.00A
HRTP Ø48	800	970	7.8.05383.00A	HRTP Ø48	800	970	7.8.05384.00A
HRTP Ø48	800	1950	7.8.05385.00A	HRTP Ø48	800	1950	7.8.05386.00A
HRTP Ø48	800	2925	7.8.05387.00A	HRTP Ø48	800	2925	7.8.05388.00A

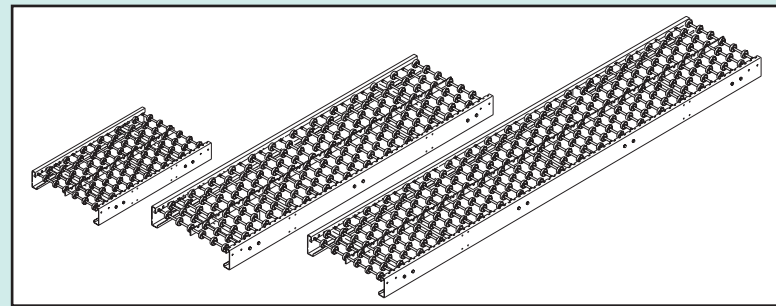
# SPORT BOÎTES

# Freie Förderungssysteme

# Sistemas di transporte de libre rodaje

## HRTZ Ø 48

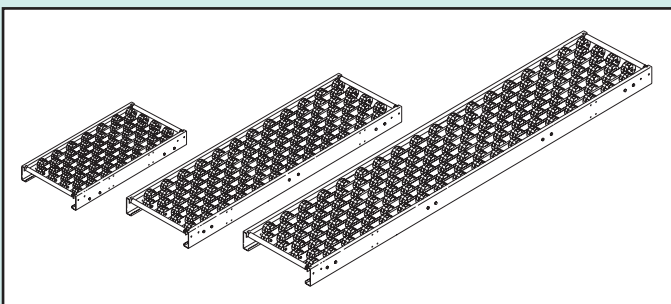
PIANO A ROTELLE Ø 48 IN ACCIAIO  
 METAL WHEEL Ø48 CONVEYORS  
 CONVOYEURS A ROULETTES Ø48 EN METAL  
 BAHNEN MIT METALLRÄDCHEN Ø48  
 PLANO CON RUEDECILLAS METALICOS Ø48



HRTZ Ø 48 -37,5				HRTZ Ø 48 -75			
	w	l		w	l		
HRTZ Ø48	500	970	7.8.05392.00A	HRTZ Ø48	500	970	7.8.05393.00A
HRTZ Ø48	500	1950	7.8.05394.00A	HRTZ Ø48	500	1950	7.8.05395.00A
HRTZ Ø48	500	2925	7.8.05396.00A	HRTZ Ø48	500	2925	7.8.05397.00A
HRTZ Ø48	650	970	7.8.05398.00A	HRTZ Ø48	650	970	7.8.05399.00A
HRTZ Ø48	650	1950	7.8.05400.00A	HRTZ Ø48	650	1950	7.8.05401.00A
HRTZ Ø48	650	2925	7.8.05402.00A	HRTZ Ø48	650	2925	7.8.05403.00A
HRTZ Ø48	800	970	7.8.05404.00A	HRTZ Ø48	800	970	7.8.05405.00A
HRTZ Ø48	800	1950	7.8.05406.00A	HRTZ Ø48	800	1950	7.8.05407.00A
HRTZ Ø48	800	2925	7.8.05408.00A	HRTZ Ø48	800	2925	7.8.05409.00A

## HRMD

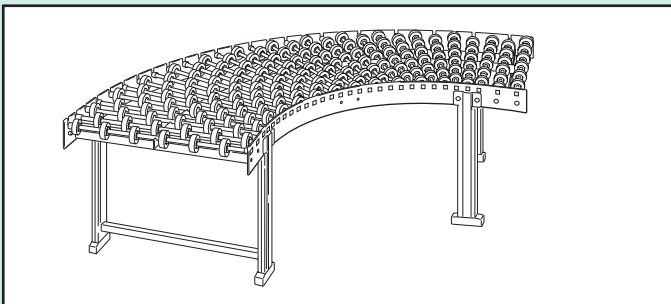
PIANO A ROTELLE MULTIDIREZIONALE  
 MULTIDIRECTIONAL WHEELS CONVEYORS  
 PLANS A ROULETTES MULTIDIRECTIONNELLES  
 VIELGERICHTETE RÄDCHENPLAN  
 PLANO CON RUEDECILLAS MULTIDIRECCIONAL



HRMD			
	w	l	
HRMD	500	1120	7.8.05323.00A
HRMD	650	1120	7.8.05324.00A
HRMD	800	1120	7.8.05325.00A

## CV

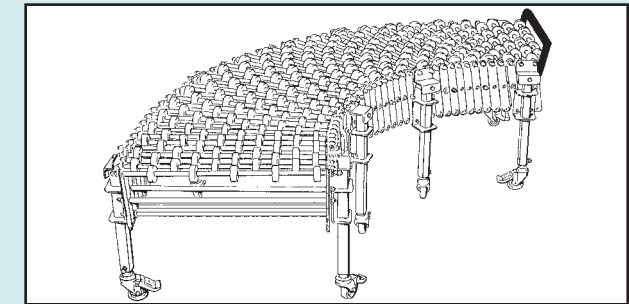
CURVE A ROTELLE FOLLI A 90°  
 IDLER WHEEL CURVES A 90°  
 COURBES A ROULETTES LIBRES A 90°  
 KURVE MIT FREIEN RÄDCHEN A 90°  
 CURVAS CON RUEDES LIBRES A 90°



CV					
	w	l	RAGGIO INTERNO INTERNAL RAY RAYON INTERIEUR INNERER RADIUS RADIO INTERNO	RAGGIO ESTERNO EXTERNAL RAY RAYON EXTERIEUR ÄUSSERER RADIUS RADIO EXTERNO	
CV	500	570	700	1270	7.8.00845
CV	650	720	700	1420	7.8.01113
CV	800	870	700	1570	7.8.01394

## GTL

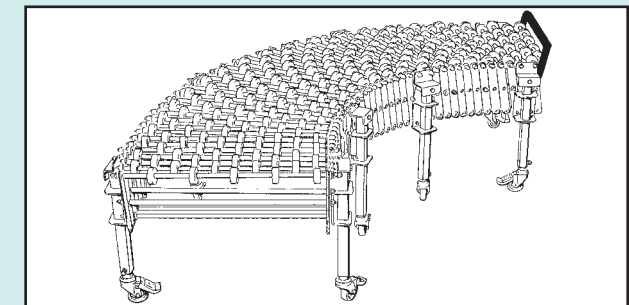
RULLIERA ESTENSIBILE CON ROTELLE IN PLASTICA  
 PLASTIC WHEEL EXTENDABLE CONVEYORS  
 CONVOYEUR EXTENSIBLES A ROULETTES PLASTIQUES  
 AUSZIEHBARE BAHNEN MIT KUNSTSTOFFRÄDCHEN  
 PLANO EXTENSIBLE CON RUEDECILLAS PLASTICOS



GTL							
	w	l		w	l		
400/3	400	1400/4500	7.8.01822	650/3	650	1400/4500	7.8.01824
500/3	500	1400/4500	7.8.01823	800/3	800	1400/4500	7.8.03994

## GTM

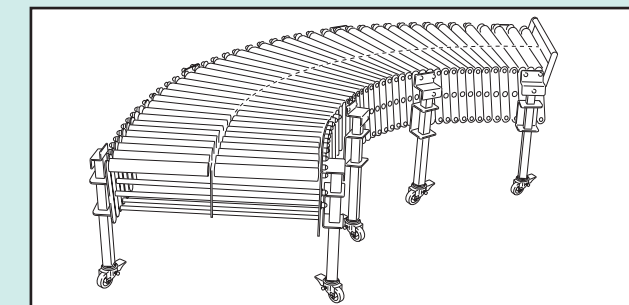
RULLIERA ESTENSIBILE CON ROTELLE IN METALLO  
 METAL WHEEL EXTENDABLE CONVEYORS  
 CONVOYEUR EXTENSIBLES A ROULETTES EN METAL  
 AUSZIEHBARE BAHNEN MIT METALLRÄDCHEN  
 PLANO EXTENSIBLE CON RUEDECILLAS METALICOS



GTM							
	w	l		w	l		
400/3	400	1400/4500	7.8.01817	650/3	650	1400/4500	7.8.04484.00A
500/3	500	1400/4500	7.8.01818	800/3	800	1400/4500	7.8.04485.00A

## GTR

RULLIERA ESTENSIBILE CON RULLI IN METALLO  
 METAL ROLLER EXTENDABLE CONVEYORS  
 CONVOYEUR EXTENSIBLES A ROULEAUX EN METAL  
 AUSZIEHBARE BAHNEN MIT METALLROLLEN  
 PLANO EXTENSIBLE CON RODILLOS METALICOS

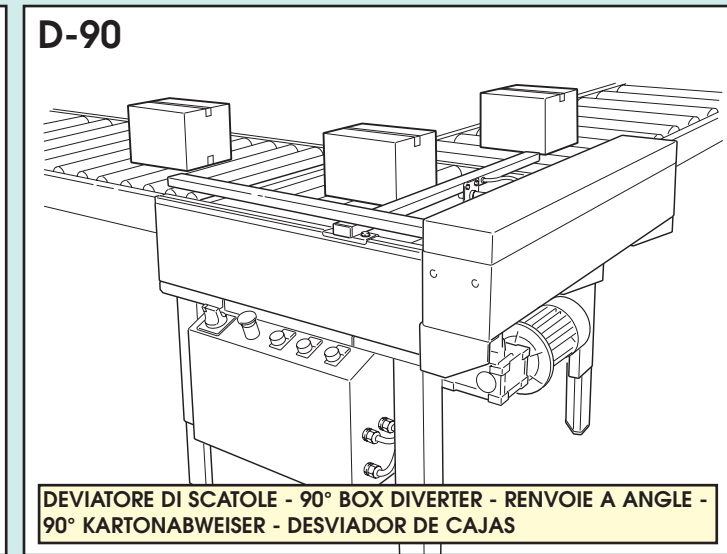
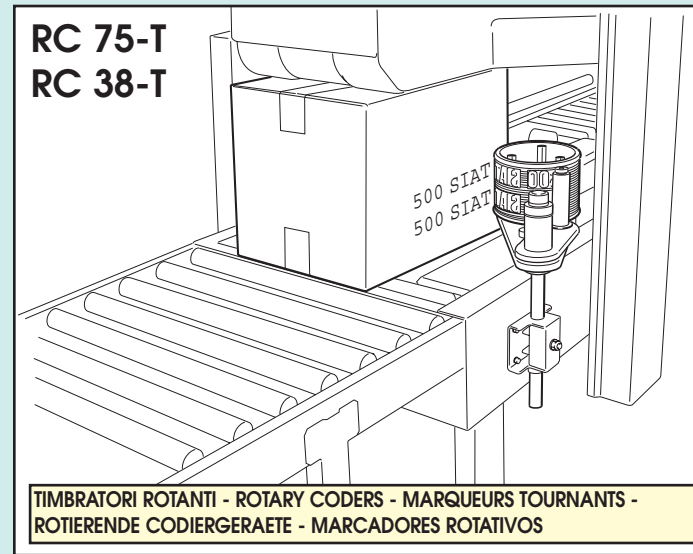
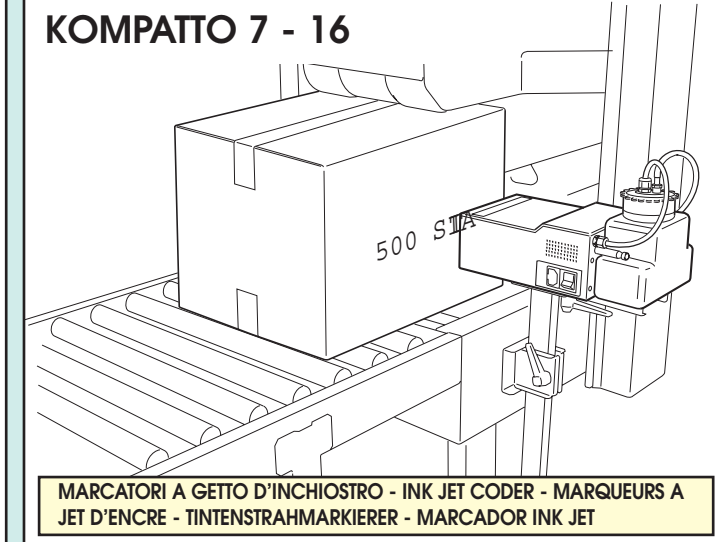
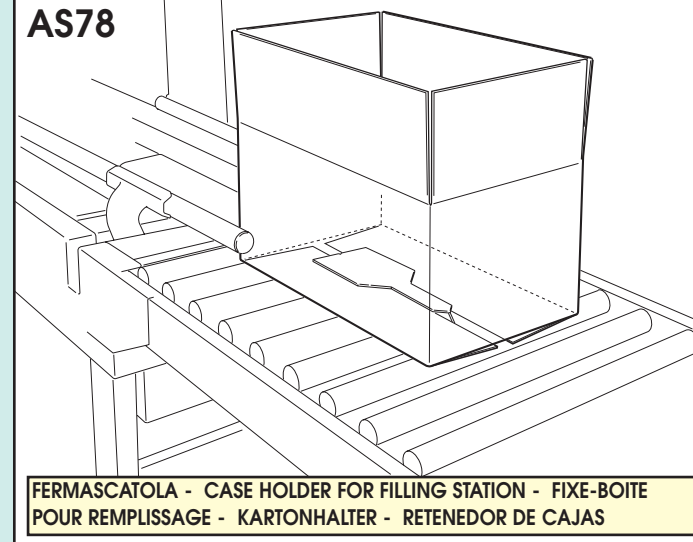


GTR							
	w	l		w	l		
400/3	400	1400/4500	7.8.01365	650/3	650	1400/4500	7.8.02159
500/3	500	1400/4500	7.8.01141	800/3	800	1400/4500	7.8.04116

**PIASTRE DI COLLEGAMENTO - CONNECTING BRACKETS - SET GOUSSETS DE FIXATION - KUPPLUNGEN - PLETINAS DE UNION**

**ACCESSORI - ACCESSORIES - ACCESSOIRES - ZUBEHÖR - ACCESORIOS**

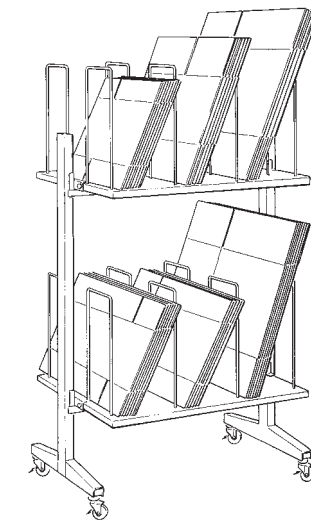
TO CONNECT WITH →	RN-RG	CT type B	GT	CV	F-104	F-144 F-145 F-146	SM	XL SM11 SM44 SM48	AS-22	AG-21	HR
<b>RN-RG</b>	CB3 4.7.08381 .00A	CB26 4.7.13536 .00A	CB7 4.7.09000 .00A	CB3 4.7.08381 .00A	CB4 4.7.08380 .00A	CB2 4.7.08378 .00A	CB1 4.7.08377 .00A	CB2 4.7.08378 .00A	CB9 4.7.08379 .00A	CB14 4.7.09006 .00A	N/A
<b>CT Type B</b>	CB26 4.7.13536 .00A	CB25 4.7.13440 .00A	CB24 4.7.13439 .00A	CB26 4.7.13536 .00A	CB33 4.7.13743 .00A	CB27 4.7.13674 .00A	CB23 4.7.13271 .00A	CB27 4.7.13674 .00A	N/A	N/A	CB26 4.7.13536 .00A
<b>GT</b>	CB7 4.7.09000 .00A	CB24 4.7.13439 .00A	CB8 4.7.09001 .00A	CB7 4.7.09000 .00A	CB10 4.7.09002 .00A	CB11 4.7.09003 .00A	CB5 4.7.04308	CB11 4.7.09003 .00A	CB12 4.7.09004 .00A	CB13 4.7.09005 .00A	CB30 4.7.13730 .00A
<b>CV</b>	CB3 4.7.08381 .00A	CB26 4.7.13536 .00A	CB7 4.7.09000 .00A	CB3 4.7.08381 .00A	CB3 4.7.08381 .00A	CB2 4.7.08378 .00A	CB1 4.7.08377 .00A	CB2 4.7.08378 .00A	CB9 4.7.08379 .00A	CB14 4.7.09006 .00A	CB28 4.7.13728 .00A
<b>F-104</b>	CB4 4.7.08380 .00A	CB33 4.7.13743 .00A	CB10 4.7.09002 .00A	CB4 4.7.08380 .00A	N/A	N/A	CB15 4.7.09007 .00A	CB16 4.7.09008 .00A	N/A	N/A	CB32 4.7.13740 .00A
<b>F-144 F-145 F-146</b>	CB2 4.7.08378 .00A	CB27 4.7.13674 .00A	CB11 4.7.09003 .00A	CB2 4.7.08378 .00A	N/A	N/A	N/A	N/A	N/A	N/A	CB2 4.7.08378 .00A
<b>SM</b>	CB1 4.7.08377 .00A	CB23 4.7.13271 .00A	CB5 4.7.04308	CB1 4.7.08377 .00A	CB15 4.7.09007 .00A	N/A	N/A	N/A	N/A	N/A	CB1 4.7.08377 .00A
<b>XL SM11 SM44 SM48</b>	CB2 4.7.08378 .00A	CB27 4.7.13674 .00A	CB11 4.7.09003 .00A	CB2 4.7.08378 .00A	CB16 4.7.09008 .00A	N/A	N/A	N/A	CB17 4.7.09009 .00A	CB18 4.7.09010 .00A	CB2 4.7.08378 .00A
<b>AS-22</b>	CB9 4.7.08379 .00A	CB9 4.7.08379 .00A	CB12 4.7.09004 .00A	CB9 4.7.08379 .00A	N/A	N/A	N/A	CB17 4.7.09009 .00A	N/A	N/A	CB9 4.7.08379 .00A
<b>AG-21</b>	CB14 4.7.09006 .00A	CB14 4.7.09006 .00A	CB13 4.7.09005 .00A	CB14 4.7.09006 .00A	N/A	N/A	N/A	CB10 4.7.09002 .00A	N/A	N/A	CB29 4.7.13729 .00A
<b>HR</b>	N/A	CB26 4.7.13536 .00A	CB30 4.7.13730 .00A	CB28 4.7.13728 .00A	CB32 4.7.013740 .00A	CB2 4.7.08378 .00A	CB1 4.7.08377 .00A	CB2 4.7.08378 .00A	CB9 4.7.08379 .00A	CB29 4.7.13729 .00A	CB31 4.7.13739 .00A



**M1**

Altezza Height Hauteur Höhe Altura	Larghezza Width Largeur Breite Ancho	Profondità Depth Profondeur Tiefe Profundidad	Ruote Casters Roues Räder Ruedas	Superficie utile Usable surface Surface utile Nutzbare Fläche Superficie útil	Codice articolo Article code Code article Artikel Nummer Codigo articulo
1235/1520	985	800	Ø 80	900 x 800	7.8.02221

**CARRELLO PORTA CARTONI - CARTON CART - CHARIOT A BOITES - KARTONWAGE - ALMACEN DE CAJAS**



Cod. Pubbl.: 5.6.00229.01

N/A = Non Applicabile - Not Applicable - Pas Applicable - Unanwendbar - No Aplicable

Linkx Systems Ltd, Anson House, Ellough, Beccles, NR34 7TJ  
Tel:- +44(0)1502 713 777  
www.siat.co.uk / www.linkx.co.uk



**siat**<sup>®</sup>

*the new generation*



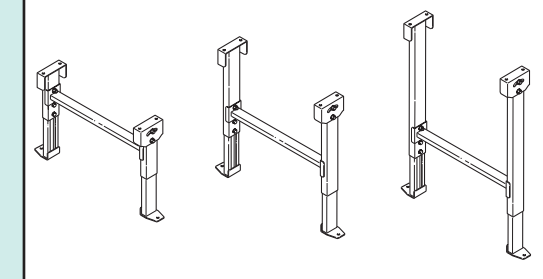
Sistemi di trasporto e accessori  
Case transportation systems and accessories  
Sistèmes de transport boîtes et accessoires  
Fördersysteme für Kartons und Zubehöre  
Sistema de transporte de cajas y accesorios



**ACCESSORI - ACCESSORIES - ACCESSOIRES - ZUBEHÖR - ACCESORIOS**

**HST**

CAVALLETTI PER PIANO A RULLI TIPO HRMD - HRG Ø 32/48  
ADJUSTABLE LEGS FOR HRMD - HRG Ø 32/48 CONVEYORS  
PIEDS REGLABLES POUR CONVOYEURS HRMD - HRG Ø 32/48  
VERSTELLBARE STÜTZE FÜR ROLLENBAHNEN TYP HRMD - HRG Ø 32/48  
PATAS PARA PLANO DE RODILLOS TIPO HRMD - HRG Ø 32/48

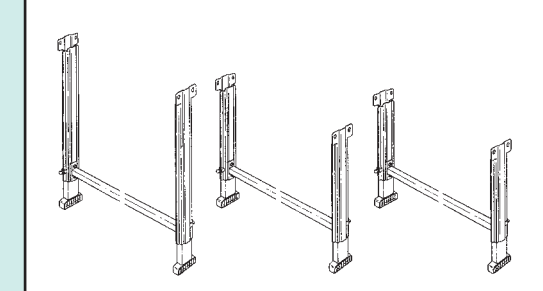


**HST**

	w	h			w	h	
HST-55	500	390/550	7.8.05326.00A	HST-83	800	540/830	7.8.05331.00A
HST-55	650	390/550	7.8.05327.00A	HST-120	500	740/1230	7.8.05332.00A
HST-55	800	390/550	7.8.05328.00A	HST-120	650	740/1230	7.8.05333.00A
HST-83	500	540/830	7.8.05329.00A	HST-120	800	740/1230	7.8.05334.00A
HST-83	650	540/830	7.8.05330.00A				

**ST**

CAVALLETTI PER PIANO A RULLI TIPO RN - RG Ø 32  
ADJUSTABLE LEGS FOR RN - RG Ø 32 CONVEYORS  
PIEDS REGLABLES POUR CONVOYEURS RN - RG Ø 32  
VERSTELLBARE STÜTZE FÜR ROLLENBAHNEN TYP RN - RG Ø 32  
PATAS PARA PLANO DE RODILLOS TIPO RN - RG Ø 32

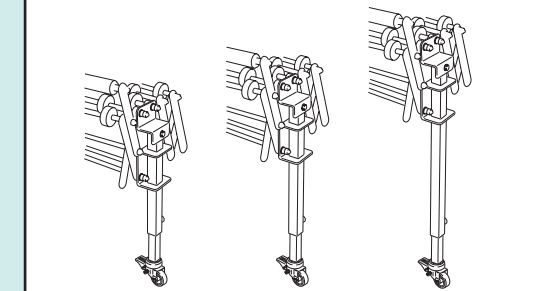


**ST**

	w	h			w	h	
ST-55	500	380/550	7.8.04070	ST - 83	800	520/830	7.8.04078
ST-55	650	380/550	7.8.04073	ST-120	500	800/1230	7.8.04072
ST-55	800	380/550	7.8.04077	ST-120	650	800/1230	7.8.04076
ST-83	500	520/830	7.8.04071	ST-120	800	800/1230	7.8.04079
ST-83	650	520/830	7.8.04075				

**LE**

GAMBE CON RUOTE PER GTL - GTM - GTR  
LEGS WITH CASTERS FOR GTL - GTM - GTR  
PIEDS AVEC ROUES POUR GTL - GTM - GTR  
STÜTZEN MIT RÄDERN FÜR GTL - GTM - GTR  
PATAS CON RUEDAS PARA GTL - GTM - GTR



**LE**

	w	h			w	h	
LE-48	350	480	4.7.08804	LE-115	700	1150	4.7.08806
LE-78	500	780	4.7.08805	LE-170	1000	1700	4.7.08807