

BeeWrap+

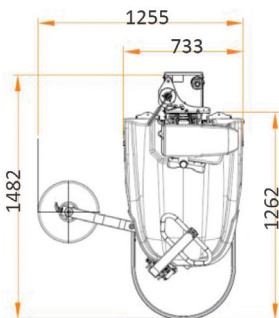
Semi-Automatic Robot Stretch-Wrapper

BeeWrap+ is a mobile wrapping machine used for palletising goods with stretch film. It is suitable for heavy weight items, unusual shapes, and loads with large dimensions. It is equipped with a digital control panel that allows the user, in an easy and functional way, to alter various parameters and set-up customised wrapping cycle programs.

With sleek design modifications the newly upgraded features the Beewrap+ is also equipped with new **AGM dry battery technology**. This guarantees a higher working autonomy (up to 400 cycles per charge) and enhances safety within the machine!

KEY FEATURES

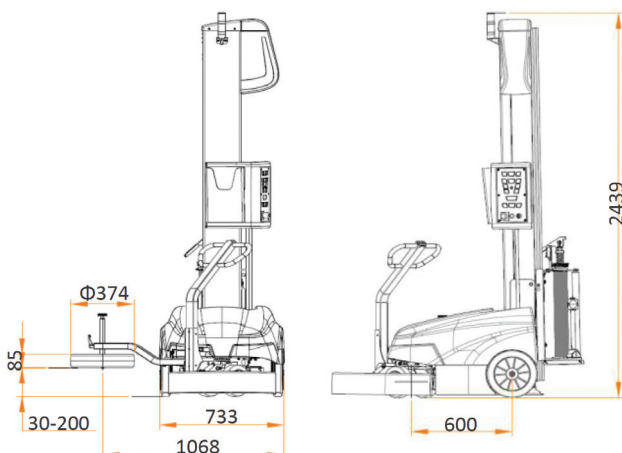
- **Energy saving** – Automatic shutdown of the machine after 10 minutes of inactivity
- **Safety First** – Thanks to the new AGM dry battery technology there is no danger related to battery maintenance and acid leaks
- **Extensive battery duration** – Up to 400 cycles with each battery charge
- **Easier to transport** – Thanks to the AGM technology, batteries are not subject to any transport restrictions
- **Extensive safety** – BeeWrap incorporates several safety features as standard
- **No film waste** – With motorised Pre-Stretch system and independent tension control
- **Increased production capacity** – Thanks to customised settings
- **Versatile use** – Suitable for very large and round loads
- **Flexibility** – Machine is easily moved to various locations
- **Modular system** – Meeting your individual needs
- **Easy to use** – Due to the simple control concept
- **CE compliant** – Engineered and produced in Italy according to EU safety standards



MACHINE DIMENSIONS

Version BeeWrap+ – L – M

Equipment, options and machine dimensions may differ depending on version.



BeeWrap+

Semi-Automatic Robot Stretch-Wrapper

TECHNICAL DATA

Carriage type	LP	FM	M
Description	Powered Pre-Stretch	Electro-Magnetic Brake	Mechanical Brake <i>incl. quick release</i>
Pre-Stretch level (%)	240 / 200 / 150	–	–
Max. pallet height (mm) <i>incl. overlap above pallet top edge</i>	2100 std. (Low) / 2400 (Medium)		
Pallet size (mm)	min. 400 x 500 / max. 6000 x 70000		
Minimum pallet weight (kg)	20 – 55 (depending on film tension and friction)		
Power supply	100 – 240 V (via on-board charger)		
Rotation speed (m/min)	5 – 80 (adjustable)		
Max. noise level	72.0 dB(A)		
Operating temperature	5 – 40°C		
Film roll details (max.)	width 500mm / ext. Φ 300mm / core Φ 76mm (fix) weight 20kg / thickness up to 35 micron		

Features	LP	FM	M
4 automatic modes	•	•	•
9 + 1 individual programs	•	•	•
Pre-Stretch system	•	–	–
Adjustable film tension (from control panel)	•	•	–
Adjustable tracing wheel	•	•	•
Independent setting of rotation and carriage speeds	•	•	•
Lockable control panel	•	•	•
Top-sheet function	•	•	•
No. of top and bottom windings (independently setttable)	•	•	•
Automatic height detection*	•	•	•
Top edge overlap (setttable from control panel)	•	•	•
Adjustable bottom overlap	•	•	•
Auto. film break detention	•	–	–
Energy saving / Auto-off	•	•	•

* for wrapping of loads with many open spaces, the height can be programmed instead of using the height detector

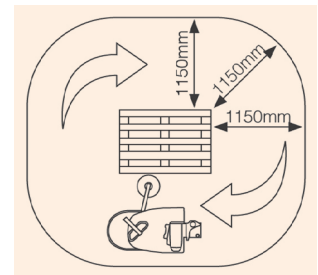
OPTIONS & ACCESSORIES

- Photocell for dark or reflective surfaces
- Film cutting punch (only on LP-carriage)
- Carriage for net-film
- Double tracing wheel
- Remote control
- Non-marking wheels
- Wheels for abrasive floor
- Blue Spot



WORKING FOOTPRINT

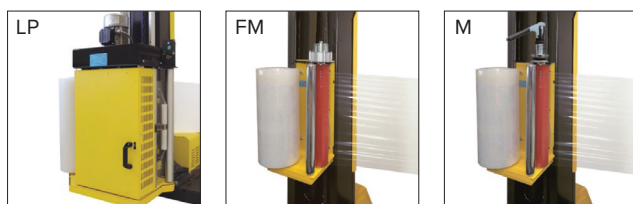
Space needed for machine rotation (not including safety area)



CONTROL PANEL

- User friendly icons and jog selector for quick parameter set-up
- 9 + 1 customisable programs
- Semi-automatic and manual working mode
- Individual speeds for up/down carriage movement
- Separate set-up for top and bottom reinforcement wraps
- Emergency push-button according to regulations

FILM CARRIAGES



BATTERY AND SAFETY

Battery Specification : 2x AGM 12V 87Ah (C5)

Standard AGM batteries allow up to 400 wrapped pallets per single charge*. AGM technology, thanks to the absence of acid, makes these batteries the most suitable for mobile applications as they are particularly resistant to vibrations. Charging time is around 8 hours.

BeeWrap+ safety features include the use of a beacon and klaxon during cycles as well as a safety bumper with sensors which stop the unit immediately if contact is detected.

* euro-pallet with 1,5 m height, up & down cycle incl. 2 top + 2 bottom wraps, film tension 10 daN